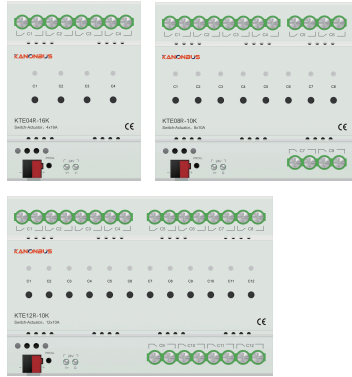


Switching Actuator User Manual

KTE04R-10K/KTE04R-16K
KTE08R-10K/KTE08R-16K
KTE12R-10K/KTE12R-16K



1

Safety instructions

- Before installation, please read user manual carefully and observe relevant standards, directives, regulations and instructions.
- Electrical equipment must be installed and programmed by qualified technicians only.
- This device is manufactured according to the relevant technical specifications and have CE.
- For more information of this product, please contact the technical engineer of manufacturer.
- Users are not permitted to alter and maintain the product without the authorization of manufacturer.
- Failure to observe the instructions may cause damage to the device and result in fire or other hazards.

Product Overview

KTE04R/08R/12R-XXXX on-off driver achieves relay switching control through the KNX protocol. The driver obtains control commands from the panel or control commands sent by the KNX system to achieve load switching actions, which can be applied to lighting, underfloor heating (on/off type), and dry contact signal control. The opening and closing driver can control the opening and closing of each circuit through manual buttons, and display the opening and closing status of the circuit through indicator lights.

2

Product Features

- Implement the opening and closing actions of a single circuit or multiple circuits of the opening and closing driver through the KNX protocol
- DC 24V is required for auxiliary power supply
- Manually control the opening and closing of a single circuit
After the KNX bus is powered off, the circuit can still be controlled through manual buttons (with the need to connect auxiliary power supply)
- Available in two relay specifications: 10A and 16A
- Equipped with independent LED status indicator lights Each circuit has an independent status display Each circuit can be individually set with relevant parameters
- Scene function

Programming instructions

1. Select the corresponding product database and import it into ETS;
2. Add the device to the project created by ETS;
3. Press the device programming button to download the physical address through ETS. After the download is complete, the red LED indicator light will turn off;
4. Open the device database, set its parameters and associate them with the corresponding group objects, and then download the application;
5. After changing the physical address of the device, repeat step 3;
6. After modifying parameter settings or re associating group objects, repeat step 4 to achieve the new functionality.

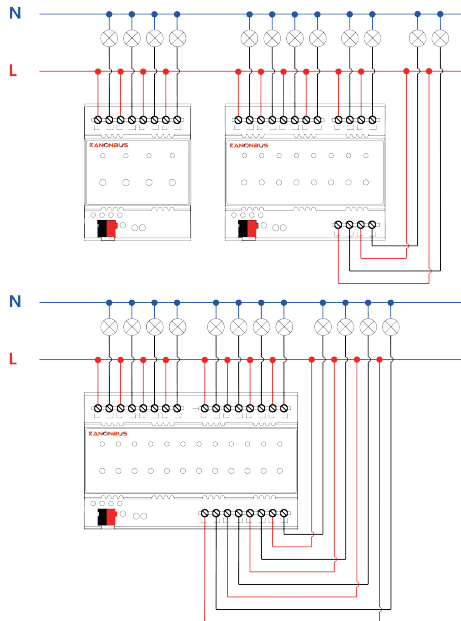
3

Product parameters

Parameters	Types	KTE04R-10K	KTE04R-16K	KTE08R-10K	KTE08R-16K	KTE12R-10K	KTE12R-16K
Power							
Power Supply	KNX Power, 21V~30V DC						
Power Consumption	KNX TP						
Power Consumption	≤10mA						
Auxiliary Power							
Voltage	DC24V						
Rated Power	1.5W		3W		5W		
Outputs							
Channels	4		8		12		
Rated Voltage	250V AC						
Rated current	10A	16A	10A	16A	10A	16A	
Cable conductor cross sections	0.5mm ² ~4mm ²						
Push button type	Electronic						
Maximum load of the load							
Contact load	10A,250V	16A,250V	10A,250V	16A,250V	10A,250V	16A,250V	
Load capacity	TV10						
Relay information							
Contact material	AgSnO ₂						
Mechanical service life(times)	>1*10 ⁶						
Electronic service life (resistive load, times)	>1*10 ⁴						
Product Info							
Dimensions (Wx H x T,mm)	72 x92.5x65.5		108 x92.5x65.5		144 x92.5 x65.5		
Type of protection	IP20						
Storage	0°C~70°C						
Operation	-25°C~70°C						
Installation	DIN						
Program mode	S Mode						

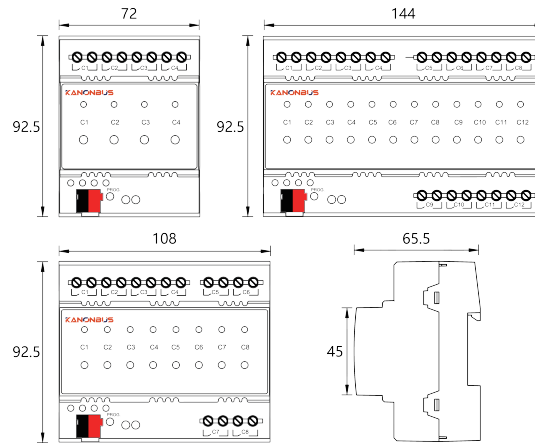
4

Product Wiring



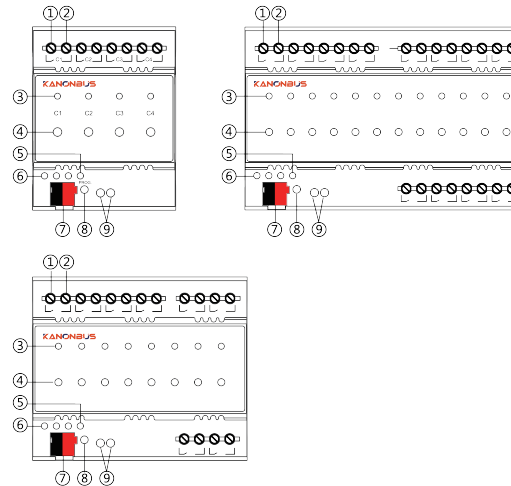
5

Product dimensions



6

Operating instructions



7

Operating instructions

- ① Load power input terminal
- ② Load output terminal
- ③ Relay status indicator light: After the relay is closed, the red light stays on continuously
- ④ Relay electronic switch
- ⑤ After connecting the DC 24V power supply, the programming button indicator light will be displayed in red when the programming button is pressed. After downloading the physical address, the indicator light will automatically turn off, or it can be turned on/off through ETS software
- ⑥ POWER indicator light: After connecting to the KNX bus, it remains yellow and constantly on
- ⑦ KNX bus terminal, used to connect KNX system
- ⑧ Programming button, press to write the physical address of the device
- ⑨ Auxiliary power input terminal: 24V DC power supply is selected, with V+as the positive pole and G as the negative pole

8