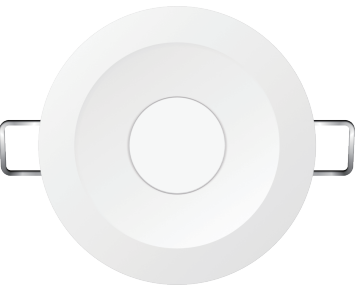


# Temperature and humidity sensor

## User Manual

KTE1AS



1

### Safety instructions

- Before installation, please read user manual carefully and observe relevant standards, directives, regulations and instructions.
- Electrical equipment must be installed and programmed by qualified technicians only.
- This device is manufactured according to the relevant technical specifications and have CE.
- For more information of this product, please contact the technical engineer of manufacturer.
- Users are not permitted to alter and maintain the product without the authorization of manufacturer.
- Failure to observe the instructions may cause damage to the device and result in fire or other hazards.

### Product Overview

The KTE1AS is a temperature and humidity sensor for the KNX system. It is installed using the embedded ceiling - mounted method indoors (concealed installation).

2

### Product Features

- It uses KNX for power supply and communication.
- It can detect temperature and humidity.
- It adopts the embedded ceiling - mounted installation method.
- It is calibrated by professional instruments.
- Temperature measurement range: -40°C to 85°C.
- Humidity measurement range: 0% to 100%.
- It is compact in size, with a diameter of 50 mm.
- The visible thickness after installation is only 6 mm.

### Installation instructions

1. Drill a hole at the installation position on the ceiling with a diameter ranging from 43 mm to 47 mm.
2. Connect the KNX bus terminal to the sensor, then insert the sensor into the hole and secure it with the spring clips.
3. When performing maintenance or replacing the sensor, please operate carefully to avoid being pinched by the spring clips.

3

### Programming instructions

1. Select the corresponding product database and import it into the ETS.
2. Add the device to the project created in the ETS.
3. Press the device programming button and download its physical address through the ETS. After the download is completed, the red LED indicator light will go out.
4. Open the device database, associate the parameter settings with the corresponding group objects, and then perform the application download.
5. After changing the physical address of the device, repeat "Step 3".
6. After modifying the parameter settings or re-associating the "group objects", repeat "Step 4" to achieve new functions.

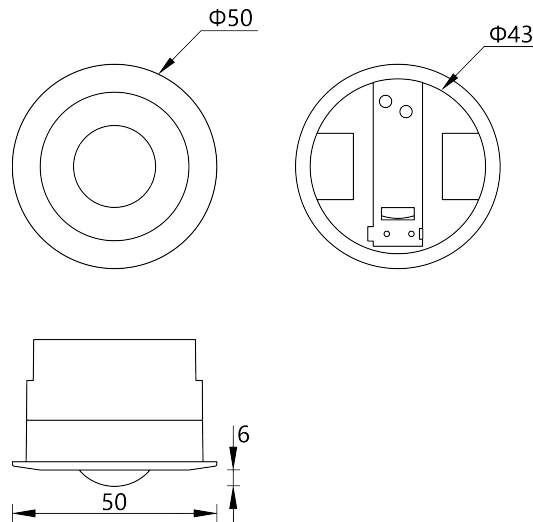
4

### Product parameters

Parameters	Types	KTE1AS
<b>Power</b>		
Power Supply		KNX Power 21V~30V DC
Transmission Media		KNX TP
Total rated current		≤10mA
<b>Product Info</b>		
Dimensions		50mm(φ)×36mm(H)
Installation method		Ceiling embedded buckle installation
Technical parameter		φ43mm~φ47mm
Temperature		-40°C~85°C ±0.5
Humidity		0~100 ±2%
Type of protection		IP20
Operation		0°C~70°C
Storage		-25°C ~70°C
Programming mode		S-mode

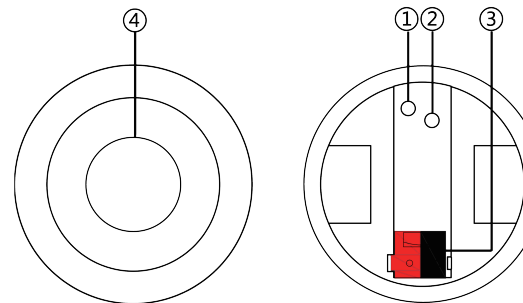
5

### Product dimensions



6

### Operating instructions



7

### Operating instructions

- ① KNX programming button indicator light: When the programming button is pressed, this indicator light will show red. After the physical address is successfully downloaded, the indicator light will automatically go out. It can also be turned on/off through the ETS software.
- ② Programming button: Press it to program the physical address of the device.
- ③ KNX bus terminal: It is used to connect to the KNX system.
- ④ Lens: When the programming button is pressed, the indicator light inside the lens will be red. After the physical address is downloaded, the indicator light of the lens will go out.

8

Shanghai Kanontec Electronic Technology Co., Ltd  
 Room 501, Building 12B, No.1288, Luoning Road  
 Baoshan District, Shanghai  
<http://www.kanontec.com>  
 E: [support@kanontec.com](mailto:support@kanontec.com)  
 T: +86-21-56468387