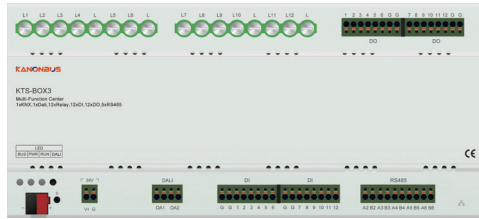


# Multifunctional Control Center

## User Manual

### KTS-BOX3



1

## Safety instructions

- Before installation, please read user manual carefully and observe relevant standards, directives, regulations and instructions.
- Electrical equipment must be installed and programmed by qualified technicians only.
- This device is manufactured according to the relevant technical specifications and have CE.
- For more information of this product, please contact the technical engineer of manufacturer.
- Users are not permitted to alter and maintain the product without the authorization of manufacturer.
- Failure to observe the instructions may cause damage to the device and result in fire or other hazards.

## Product Overview

The KTS-BOX3 Multi-Functional Control Center integrates the KTS solution with multiple control units (relay output, DALI dimming, DI input, DO output, RS485), and can be applied to projects such as hotel guest rooms, small apartment units, and conference rooms. Through the hardware interfaces of the KTS platform, it controls devices such as air conditioners, curtains, underfloor heating, and background music systems. By integrating control units and a multi-functional gateway into one, it becomes a true control center. Featuring a DIN rail mounting method, the KTS-BOX3 Multi-Functional Control Center is equipped with rich hardware interfaces and powerful computing processing capabilities. It can integrate and mutually convert various popular communication protocols (such as KNX, RS485/RS232-based protocols, TCP/IP, UDP, BACnet/IP, Modbus RTU/TCP, etc.), and can be upgraded and customized for expansion according to actual needs, delivering a truly intelligent solution.

2

## Product Features

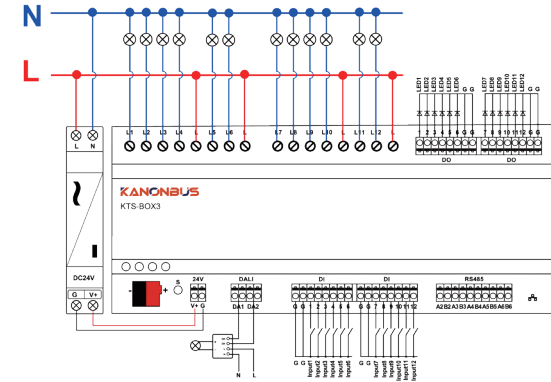
- Standard DIN35mm rail-mounted modular product with compact structure and powerful functions.
- No programming required—operational with default factory settings, yet configurable for custom programming.
- Relay Output: 12 channels of 10A relays for high-power loads such as key-card power systems, circuit breakers, and sockets.
- DI Input: 12 channels of dry contact inputs for receiving signals from panel switches.
- DO Output: 12 channels of 0/12V outputs for passive or low-power devices.
- DALI Dimming: 1 channel for interfacing with DALI lighting systems.
- RS485: Five independent serial communication ports supporting standard protocols (e.g., Modbus RTU Client/Slave) and custom Zhengjue protocol modules. Simultaneously connects up to five serial devices, including curtain motors, central air conditioners, and underfloor heating systems.
- RJ45: One network port supporting diverse protocols (TCP/IP, Modbus TCP, BACnet IP) for local/remote APP control, cloud voice integration, and multi-function operation.
- KNX: One KNX TP interface for seamless integration into KNX networks or standalone use, offering flexibility and scalability.
- Integrates with HVAC, ventilation, audio systems, home theaters, conference, security, and building management systems.
- Built-in logic and timing functions.
- Remote debugging and configuration support.
- Embedded KNX IP ROUTER with filtering capabilities.
- Compatible with iOS, Android, and Windows platforms.

3

## Product Configuration

- 1) This product adopts the web page programming method. Please use browsers that are not based on the IE kernel for function configuration, such as Firefox, Chrome, etc.
- 2) Login address: 192.168.1.232
- 3) Username: admin
- 4) Password: 123

## Product Wiring



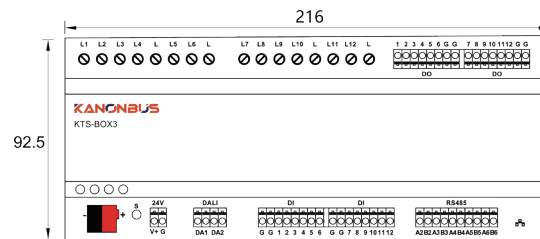
4

## Product parameters

Parameter	Types	KTS-BOX3
<b>Product info</b>		
Dimensions (WxHxT)		216mm×92.5mm×60mm
Power Supply		24V DC
Type of protection		IP20
Operation		0°C~70°C
Storage		-25°C~70°C
Installation method		Rail-mounted installation
<b>Product port</b>		
10A relay output		12
DALI dimming output		1
Digital Input		12
Digital Output		12
Polarity		Common cathode
Output voltage		Passive DC 5V/12V
RS485		5
RJ45		1
KNX TP		1
<b>LED indicator light</b>		
BUS		KNX system indicator light, red
POWER		Working indicator light, orange
RUN		Operating indicator light, green
DALI		DALI indicator light, white

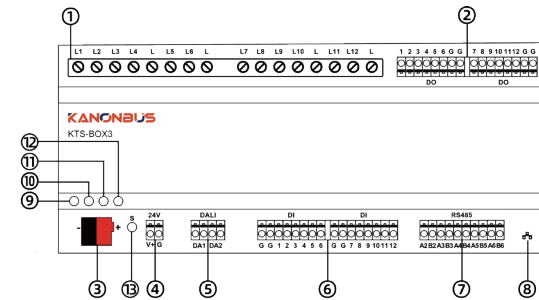
5

## Product dimensions



6

## Operating instructions



7

## Operating instructions

- 1) 10A Relay Output: The L terminal serves as the common power supply for the load.
- 2) DO Signal Output: Supports 0/12V output with G as the common terminal.
- 3) KNX Bus Terminal: Connects to the KNX system.
- 4) Power Supply Terminal: Uses a 24V DC power source. V+ is the positive pole, G is the negative pole.
- 5) DALI Signal Output: Connects to the DALI lighting system.
- 6) DI Signal Input: Dry contact input with G as the common terminal.
- 7) RS485 Control Interface.
- 8) RJ45 Ethernet Port: For network connectivity and protocol integration.
- 9) BUS Indicator: Solid red when connected to a KNX system.
- 10) PWR Indicator: Solid orange when powered on.
- 11) RUN Indicator: Solid green when fully operational; flashes rapidly during data transmission/reception.
- 12) DALI Indicator: Solid white when connected to a DALI system.
- 13) Reset Button: Press and hold this button for 6 seconds until the RUN indicator light flashes rapidly and then turns back on; the device will then be restored to factory settings (including host IP network parameters, serial port settings, and startup mode).

8

Shanghai Kanontec Electronic Technology Co., Ltd  
Room 501, Building 12B, No.1288, Luoning Road  
Baoshan District, Shanghai  
http://www.kanontec.com  
E: support@kanontec.com  
T: +86-21-56468387